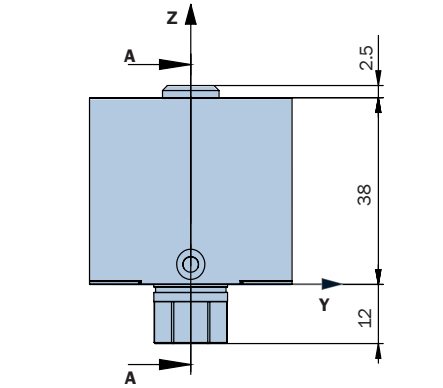
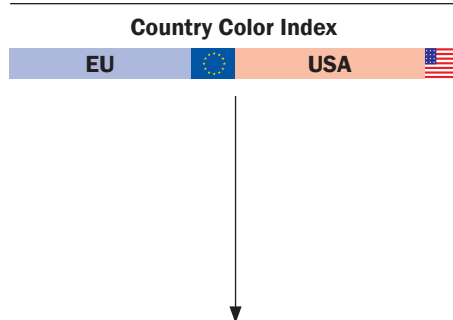


Medium-Duty Hold-Down Release Mechanism

18 kN Release Preload Mechanical Release Unit (MRU)



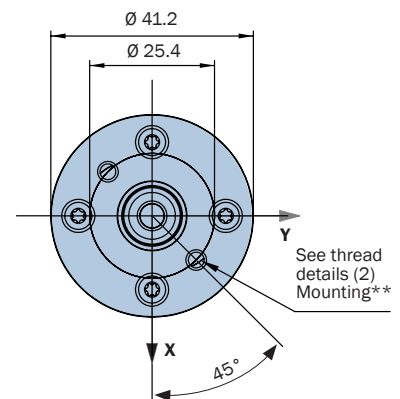
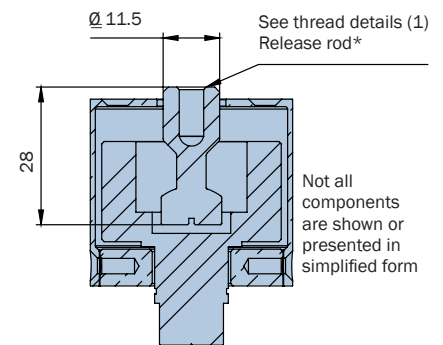
HOLD-DOWN RELEASE MECHANISM, MEDIUM-DUTY



- Mechanical release unit for functional, ground testing only to save resources and time
- MRU unit fulfill one-by-one the geometrical interface of the flight hardware
- Easy resettable, up to 30 times usage tested, continued usage expected
- Not dedicated for thermal, dynamic or shock tests

How To Order	
Part No.	
GSS500-000009	GSS500-00UNJF (SPECIFIC P/N TBD)

Matching HDRM	
GSS500-000003	061-022
Thread details	
(1) Release rod*	
MJ6-6H	0.25-28 UNJF-3B
(2) Mounting**	
M3 X 0,5-6H	.112-40 UNC-2B
Description	
Medium Duty MR, 18 kN (4000 lb.)	



MATERIAL/FINISH

Aluminium alloy, Stainless steel

NOTES

- Unit is identified with Glenair name, CAGE code, part number, and date code, space permitting
- Release preload: 18 kN
- HDRM references Glenair p/n GS5500-000003 EU, 061-022 US
- Weight: 238 g
- Contact your sales representative whilst using customized HDRMs

