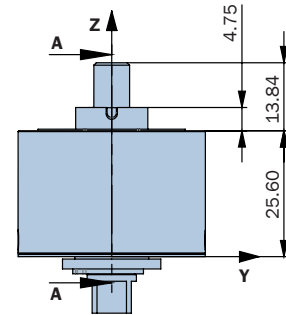
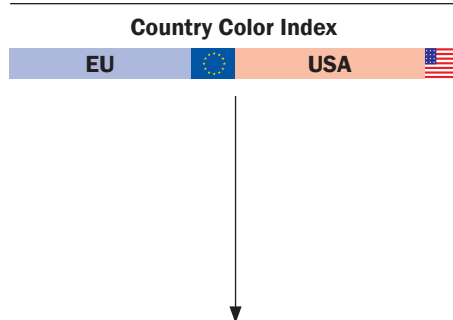


# Medium-Duty Hold-Down Release Mechanism

## 11 kN Release Preload Mechanical Release Unit (MRU)



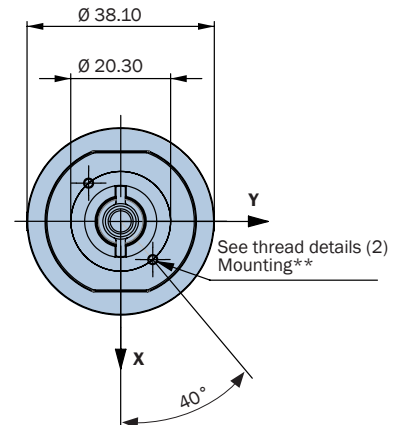
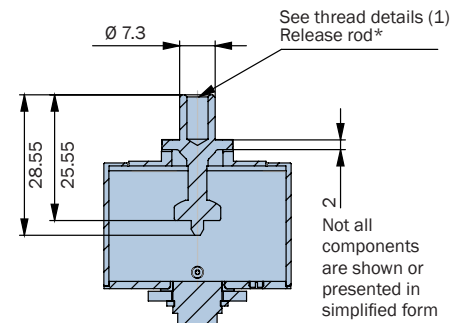
### HOLD-DOWN RELEASE MECHANISM, MEDIUM-DUTY



- Mechanical release unit for functional, ground testing only to save resources and time
- MRU unit fulfill one-by-one the geometrical interface of the flight hardware
- Easy resettable, up to 30 times usage tested, continued usage expected
- Not dedicated for thermal, dynamic or shock tests

How To Order	
Part No.	
GSS500-000002	GSS500-00UNJF (SPECIFIC P/N TBD)

Matching HDRM	
GSS500-000001	061-006
061-023	
Thread details	
(1) Release rod*	
MJ5 X 0.8	.190-32 UNJF-3B
(2) Mounting**	
M2 - 6H	#2-56 UNC
Description	
Medium Duty MR, 11 kN (2500 lb.)	



#### MATERIAL/FINISH

Aluminium alloy, Stainless steel

#### NOTES

- Unit is identified with Glenair name, CAGE code, part number, and date code, space permitting
- Release preload: 11 kN
- HDRM references Glenair pln GS5500-000001 EU, 061-023 US, 061-006 US
- Weight: 123 g
- Contact your sales representative whilst using customized HDRMs

